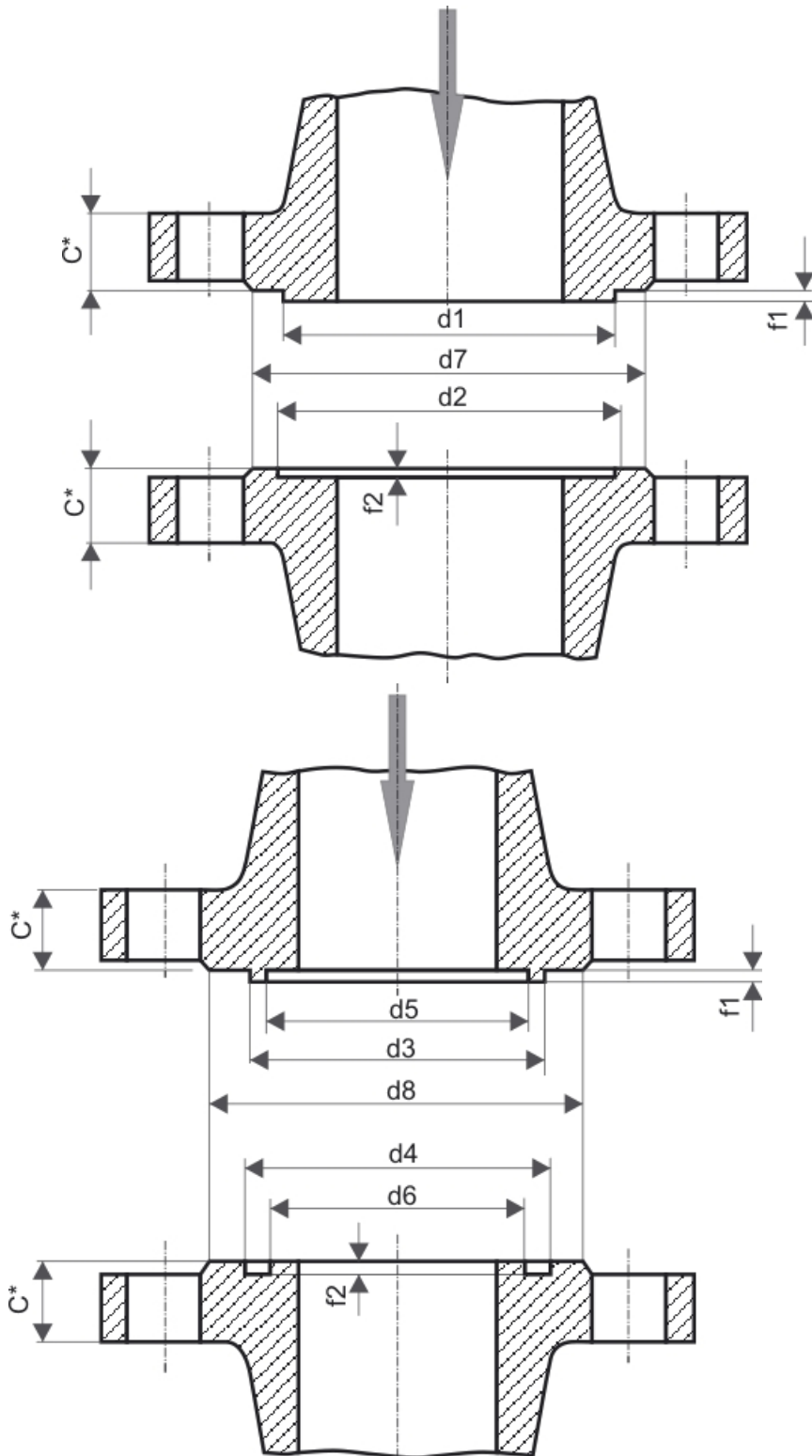


There are no translations available.

Dimensions of large male-female and small tongue and groove flange facing ANSI B16.5 standard



Dimensions of large male-female and small tongue and groove flange facing ANSI B16.5 standard

DN	d1	d2	d3
<u>1/2"</u> 1,38			
(35,1)	1,44		
(36,6)	1,38		
(35,1)	1,44		
(36,6)	1,00		
(25,4)	0,94		
(23,9)	1,81		
(46,0)	1,75		
(44,5)	0,25		
(6,4)	0,19		
(4,8)			
<u>3/4"</u> 1,69			
(42,9)	1,75		
(44,5)	1,69		
(42,9)	1,75		
(44,5)	1,31		
(33,3)	1,25		
(31,8)	2,12		
(53,8)	2,06		
(52,3)	0,25		
(6,4)	0,19		
(4,8)			
<u>1"</u> 2,00			
(50,8)	2,06		
(52,3)	1,88		
(47,7)	1,94		
(49,3)	1,50		
(38,1)	1,44		
(36,6)	2,44		
(62,0)	2,25		
(57,2)	0,25		
(6,4)	0,19		
(4,8)			
<u>1 1/4"</u> 2,50			
(63,5)	2,56		
(65,0)	2,25		
(57,2)	2,31		

Dimensions of large male-female and small tongue and groove flange facing ANSI B16.5 standard

(58,7)	1,88
(47,8)	1,81
(46,0)	2,94
(74,7)	2,62
(66,6)	0,25
(6,4)	0,19
(4,8)	
<u>1½"</u> 2,88	
(73,2)	2,94
(74,7)	2,50
(63,5)	2,56
(65,0)	2,12
(53,8)	2,06
(52,3)	3,31
(84,1)	2,88
(73,2)	0,25
(6,4)	0,19
(4,8)	
<u>2"</u> 3,62	
(92,0)	3,69
(93,7)	3,25
(82,6)	3,31
(84,1)	2,88
(73,0)	2,81
(71,4)	4,06
(103,1)	3,62
(92,0)	0,25
(6,4)	0,19
(4,8)	
<u>2½"</u> 4,12	
(104,6)	4,19
(106,4)	3,75
(95,2)	3,81
(96,8)	3,38
(85,8)	3,31
(84,1)	4,56
(115,8)	4,12
(104,6)	0,25
(6,4)	0,19
(4,8)	
<u>3"</u> 5,00	
(127,0)	5,06
(128,5)	4,62
(117,5)	4,69
(119,1)	4,25

Dimensions of large male-female and small tongue and groove flange facing ANSI B16.5 standard

(108,0)	4,19
(106,4)	5,44
(138,2)	5,00
(127,0)	0,25
(6,4)	0,19
(4,8)	

4" 6,19

(157,2)	6,25
(158,8)	5,69
(144,5)	5,75
(146,1)	5,19
(131,8)	5,12
(130,0)	6,62
(168,1)	6,19
(157,2)	0,25
(6,4)	0,19
(4,8)	

5" 7,31

(185,7)	7,38
(187,5)	6,81
(173,0)	6,88
(174,8)	6,31
(160,3)	6,25
(158,8)	7,75
(196,9)	7,31
(185,7)	0,25
(6,4)	0,19
(4,8)	

6" 8,50

(215,9)	8,56
(217,5)	8,00
(203,2)	8,06
(204,7)	7,50
(190,5)	7,44
(189,0)	8,94
(227,0)	8,50
(215,9)	0,25
(6,4)	0,19
(4,8)	

8" 10,62

(269,8)	10,69
(271,5)	10,00
(254,0)	10,06
(255,5)	9,38
(238,3)	9,31

Dimensions of large male-female and small tongue and groove flange facing ANSI B16.5 standard

(236,5)	11,06
(281,0)	10,62
(269,8)	0,25
(6,4)	0,19
(4,8)	
<u>10"</u> 12,75	
(323,5)	12,81
(325,4)	12,00
(304,8)	12,06
(306,3)	11,25
(285,8)	11,19
(284,2)	13,19
(335,0)	12,75
(323,5)	0,25
(6,4)	0,19
(4,8)	
<u>12"</u> 15,00	
(381,0)	15,06
(382,5)	14,25
(362,0)	14,31
(363,5)	13,50
(342,9)	13,44
(341,4)	15,44
(392,2)	15,00
(381,0)	0,25
(6,4)	0,19
(4,8)	
<u>14"</u> 16,25	
(412,8)	16,31
(414,3)	15,50
(393,7)	15,56
(395,2)	14,75
(374,7)	14,69
(373,1)	16,69
(423,9)	16,25
(412,8)	0,25
(6,4)	0,19
(4,8)	
<u>16"</u> 18,50	
(469,9)	18,56
(471,5)	17,62
(447,6)	17,69
(449,3)	16,75
(425,5)	16,69
(423,9)	18,94
(481,0)	18,50

(469,9)	0,25
(6,4)	0,19
(4,8)	
18" 21,00	
(533,4)	21,06
(535,0)	20,12
(511,0)	20,19
(512,8)	19,25
(489,0)	19,19
(487,4)	21,44
(544,6)	21,00
(533,4)	0,25
(6,4)	0,19
(4,8)	
20" 23,00	
(584,2)	23,06
(585,8)	22,00
(558,8)	22,06
(560,3)	21,00
(533,4)	20,94
(531,9)	23,44
(595,4)	23,00
(584,2)	0,25
(6,4)	0,19
(4,8)	
24" 27,25	
(692,2)	27,31
(693,7)	26,25
(666,8)	26,31
(668,3)	25,25
(641,4)	25,19
(639,8)	27,69
(703,3)	27,25
(692,2)	0,25
(6,4)	0,19
(4,8)	

Notes: Dimensions in inch and (mm) * For dimensions C click on link of relevant size of DN column.